

Due to continuous product development we reserve the right to change better quality, material & minor design changes

This drawing shall not be copied or reproduced in any form without the prior written permission of the company

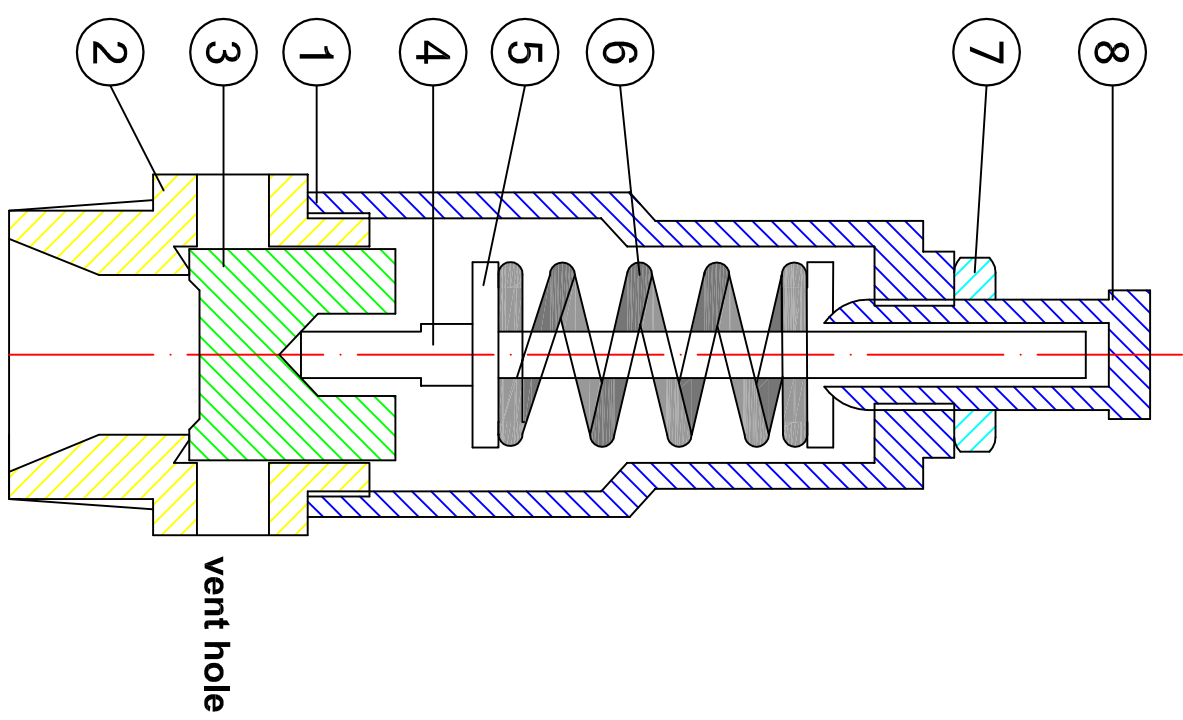
TECHNICAL DATA:

End Connection : Screwed end to BSP / NPT

Model no: DV-AIR-33

SET PRESSURE : MAX 200 PSI

SIZES AVAILABLE : 1/2" TO 2"



Sl. No.	PARTS NAME	MATERIAL
8	CHECK NUT	AI SI 304/316
7	PRESSURE SET BOLT	AI SI 304/316
6	SPRING	SPRING STEEL
5	SPRING WASHER	AI SI 304/316
4	SPINDAL	AI SI 304/316
3	DISC/PLUG	AI SI 304/316
2	BONNET	AI SI 304/316
1	BODY	AI SI 304/316/M.S.

TITLE : G.A DRAWING OF OPEN SAFETY VALVE

DARSHAN VALVE MFG CO.

DRAWN BY : JAY	DARSHAN VALVE MFG CO. Works : 42,SHREEJI INDUSTRIAL ESTATE,RAIPUR MILL COMPOUND,SARASPUR,AHMEDABAD-380018 (GUJ) DRG NO:MODEL NO- DV-AIR-33
CHK. BY :	
APPD. BY : DARSHAN	
DATE : 11/10/2012	
SCALE : N.T.S	
MAT. : As shown	SHEET: 1 OF 1 REVISION : 0

